

GROVE®

RT540E



MARTIN ▶ 35 T

 35 t

 31 m



Manitowoc

www.manitowoccrane.com

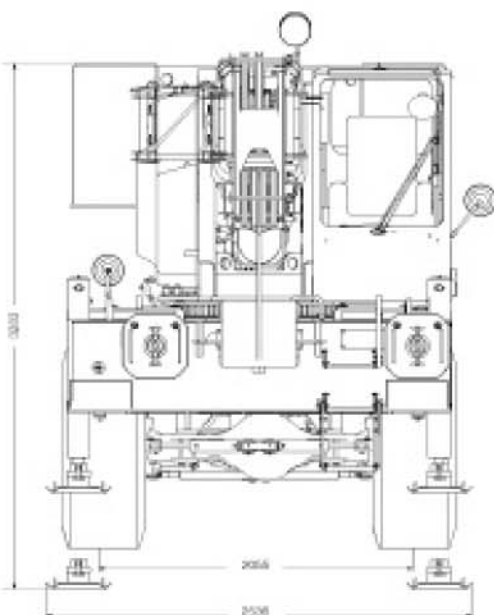
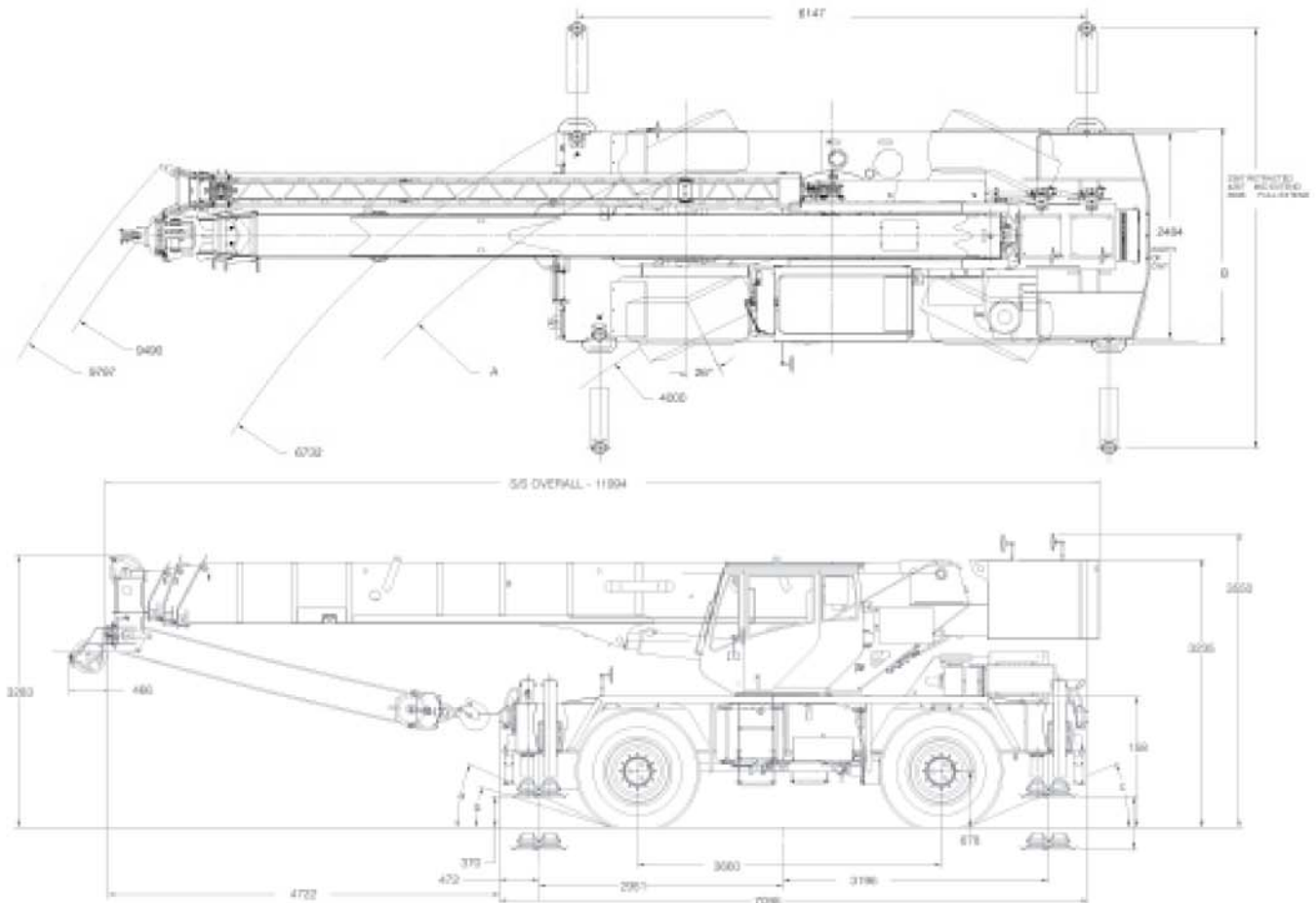
Rough Terrain Crane • Geländekran
Grue Tout-Terrain • Grúa Todo Terreno
Autogrua Fuoristrada • Grua RT



MARTIN

35 T

Dimensions • Abmessungen • Encombrement • Dimensiones • Dimensioni • Dimensões



Ra = Radius all wheels steered
 Radius allradgelenkt
 Rayon de braquage maximal (toutes roues directrices)
 Radio de giro con todas las ruedas giradas
 Raggio di curva con tutte le ruote sterzate

	TIRE SIZE	A	B	a	b	c
4 WHEEL STEER	20,5 x 25	5832	2606	25,0°	22,5°	17,3°
	16,0 x 25	5806	2635	26,0°	23,5°	18,3°

Tire size : 16.0 x 25

RT540E

GROVE



MARTIN

35 T

Load charts • Traglasten • Capacités de levage
Capacidades • Capacità • Diagramas de carga

Telescopic boom • Teleskopausleger • Flèche principale • Pluma telescópica • Braccio telescopico • Lança telescópica



9,8 - 31 m



100%



360°



4,3 t



DIN/ISO

RT540E

m	9,8	12,2	15,2	18,3	21,3	24,4	27,4	31,0
2,5	35,000							
3,0	32,725	22,975	21,975					
3,5	29,000	22,975	21,975					
4,0	25,150	22,975	21,975	21,025				
4,5	22,125	22,350	21,975	20,150				
5,0	19,675	19,900	20,075	18,925	17,550			
6,0	15,950	16,175	16,350	16,250	14,275	13,450		
7,0	13,250	13,475	13,675	13,775	12,650	12,075	9,975	
8,0		11,450	11,625	11,725	11,250	10,725	9,530	8,375
9,0		9,835	9,900	9,885	9,780	9,405	8,470	7,980
10,0		8,420	8,545	8,545	8,360	8,060	7,625	7,350
12,0			6,070	6,130	6,200	6,110	5,930	5,720
14,0				4,525	4,620	4,670	4,635	4,475
16,0				3,415	3,500	3,560	3,570	3,560
18,0					2,675	2,730	2,760	2,775
20,0						2,090	2,130	2,160
22,0						1,585	1,630	1,670
24,0							1,220	1,265
26,0								0,935
28,0								0,650

AG-528-104284

RT540E

GROVE.



MARTIN

35 T

Load charts • Traglasten • Capacités de levage
Capacidades • Capacità • Diagramas de carga

Working range • Arbeitsbereiche • Portée de travail • Radio de trabajo • Area di lavoro • Intervalo de funcionamento



9,8 - 31 m



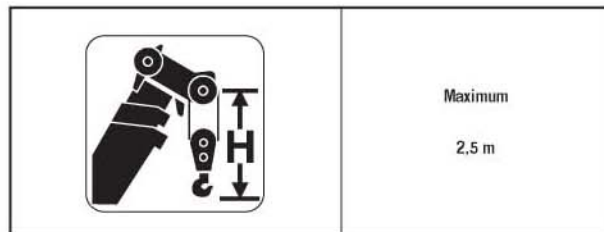
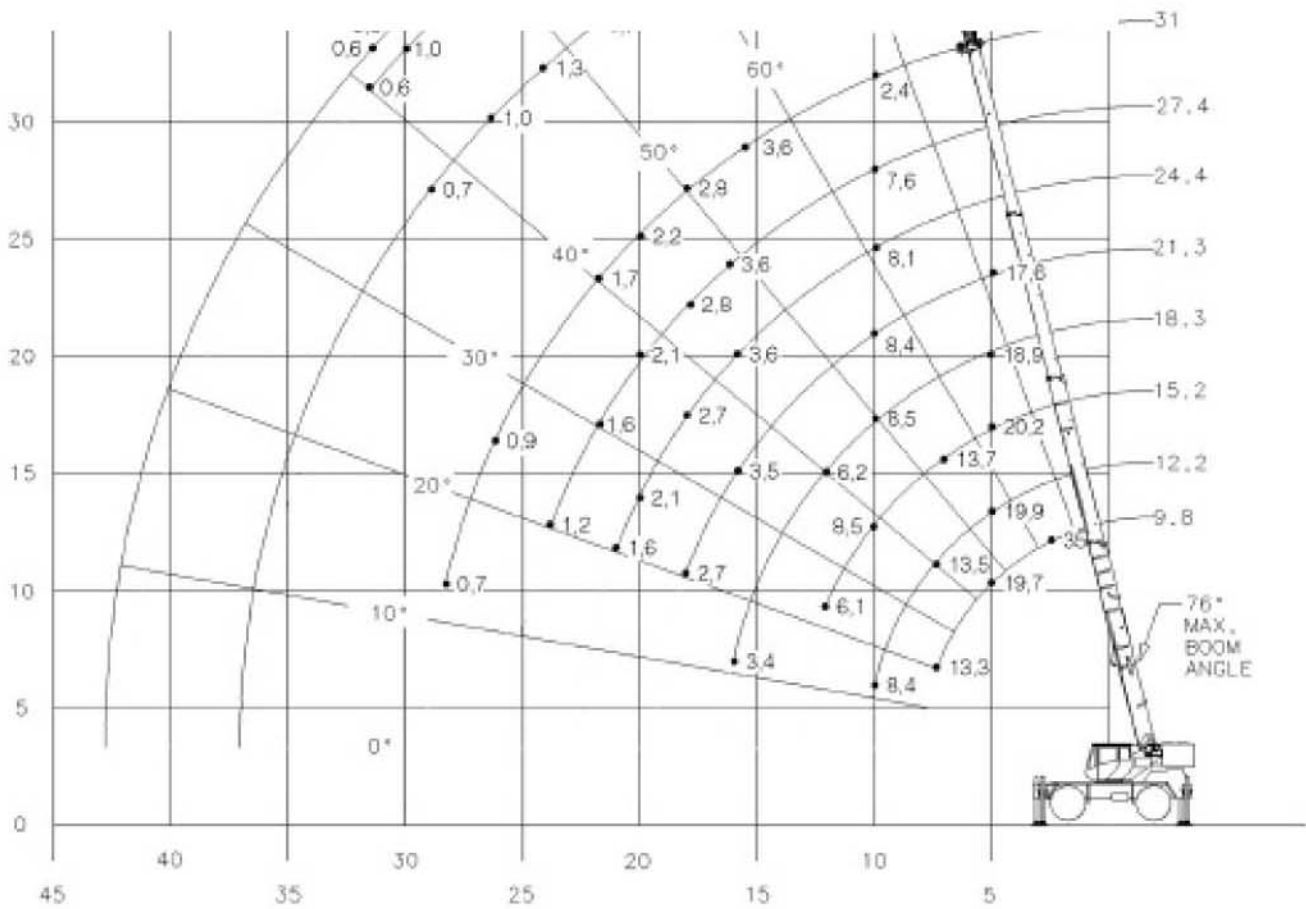
100%



360°



4,3 t



RT540E

GROVE